

WWH30-108ATV3*

Megapixel Telecentric Lens

- Compact design with coaxial illumination options;
- Perfect image and supports all kinds of Mega camera;
- High contrast, low distortion, high resolution;
- Optional adjustable Iris for resolution and DOF control;
- Megapixel 'object side' telecentric lens with optional long working distance versions with over 500mm working distance.

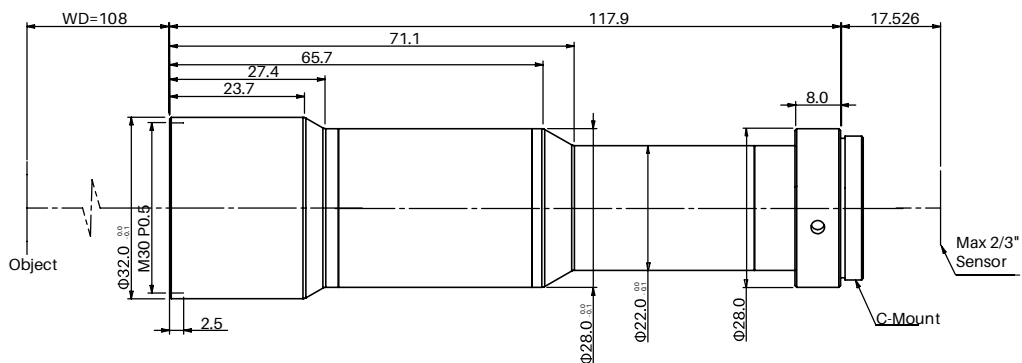


Optical Specifications	
Magnification (x)	3
Working Distance (mm)	108
Max Sensor Size (Φmm)	11(2/3")
Aperture (F/#)	15
Telecentricity typical (max) (deg)	0.04
Distortion typical (max) (%)	0.05
NA	0.1
Resolution (μm)	3.4
Depth of Field (mm)	0.13

Field of View (mm × mm)	
1/2" (6.4x4.8)	2.1x1.6
1/1.8" (7.13x5.37)	2.4x1.8
2/3" IMX250/264 (8.45x7.1)	2.8x2.4
Mechanical Specifications	
Mount	C
Length (mm)	117.9
Coaxial Light	No
Iris	No

Notes:

1. Depth of Field is calculated value, this value could be used for imaging test, but to get sharp image in application, half of calculated value is suggested.



Note: * New product.