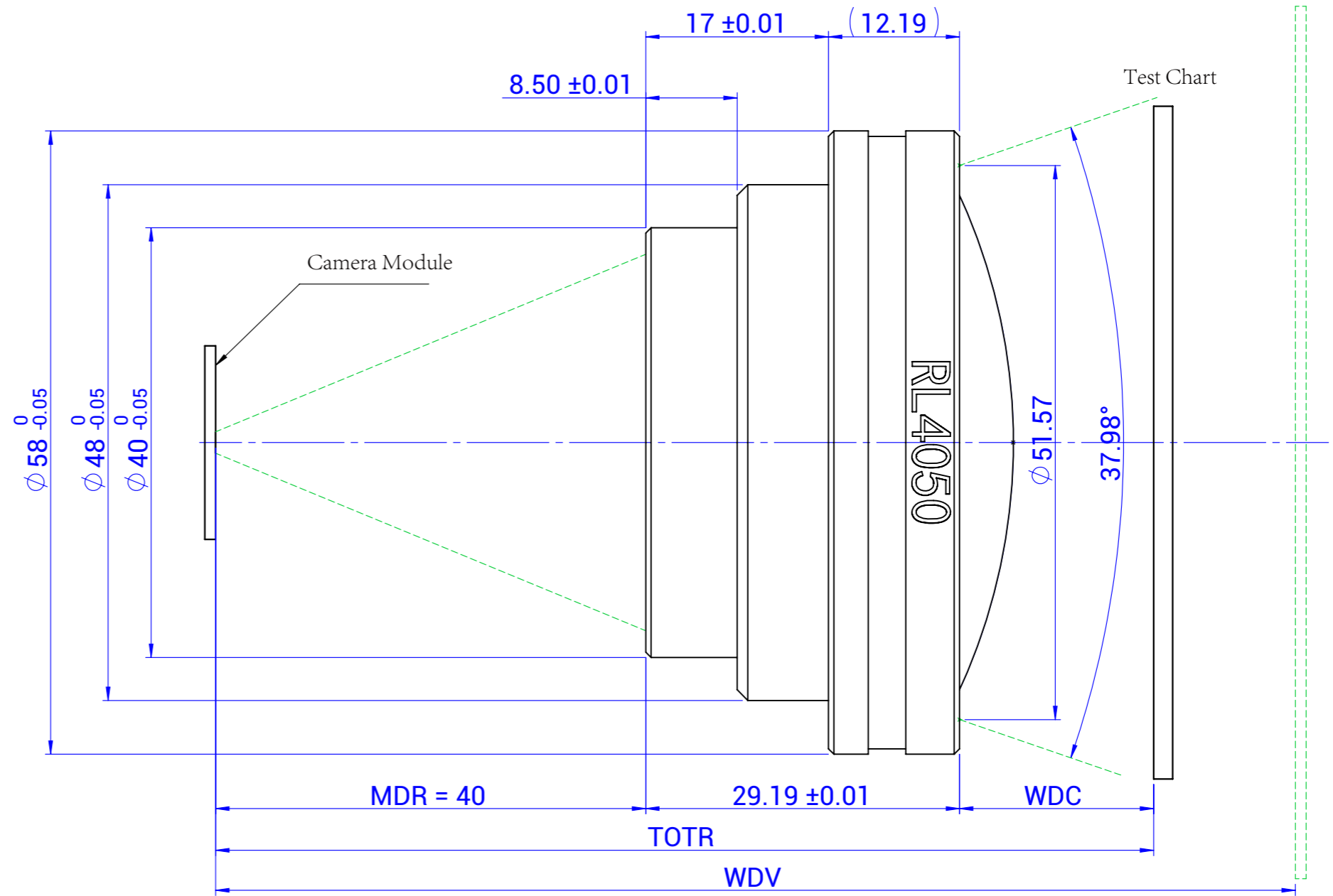


RL4045 SPECIFICATION

Visual Image of Test Chart

Notes:

1. The Chart Size is calculated according to the maximum field Angle of the relay lens;
2. WDV: Working Distance between the Visual Image of Chart and CCM top;
3. WDC: Working Distance between the Chart and Relaylens Object End;
4. MDR: Mounting Distance for Relay Lens from CCM top;
5. TOTR: Distance from the camera module to the test card.
6. The length and width of chart are calculated according to the chip specifications 4:3 or 16:9 of the camera module.



WDV	WDC	TOTR	Max Chart Size				
			Diagonal	4:3		16:9	
300	163.21	232.15	163.07	130.45	97.84	142.12	79.94
500	231.20	300.14	210.33	168.26	126.20	183.32	103.12
1000	315.16	384.10	268.69	214.95	161.21	234.18	131.73
1500	354.54	423.48	296.06	236.85	177.64	258.04	145.15
2000	377.40	446.34	311.95	249.56	187.17	271.89	152.94
3000	402.84	471.78	329.64	263.71	197.78	287.30	161.61
5000	425.37	494.31	345.30	276.24	207.18	300.95	169.28
10000	443.72	512.66	358.05	286.44	214.83	312.07	175.54
50000	459.41	528.35	368.96	295.16	221.37	321.57	180.88
100000000	463.49	532.43	371.79	297.43	223.08	324.05	182.28

Focal Length	452
Distortion	<0.3%
MAX FOV	45°
Weight	0.11
Exit Pupil Aperture	18
MDR	40
Wavelength	420-940 nm

Lontry®	DESIGN	pb	2019/1/18	MACHINE MODEL:	LT0049	
	CHECKED					
INFORMATION HEREIN SHALL NOT BE REPRODUCED IN ANY FORM WITHOUT COLIBRI WRITTEN PERMISSION	APPROVED			TITLE: RL4045 SPECIFICATION		
	MATERIAL:	Product			QTY	-
TOLERANCE CLASS NOT SPECIFIED				DWG/N		REV. A
Dimensional tol./Masstol. ISO 2768-1:1989	tol.-class/Tol.-k.	SIZE	A3	UNIT	mm	SHEET 1/1
Geometrical tol./Form-u. Lagetol. ISO 2768-2:1989	tol.-class/Tol.-k.	SCALE	1:1	WT(kg)	0.15	