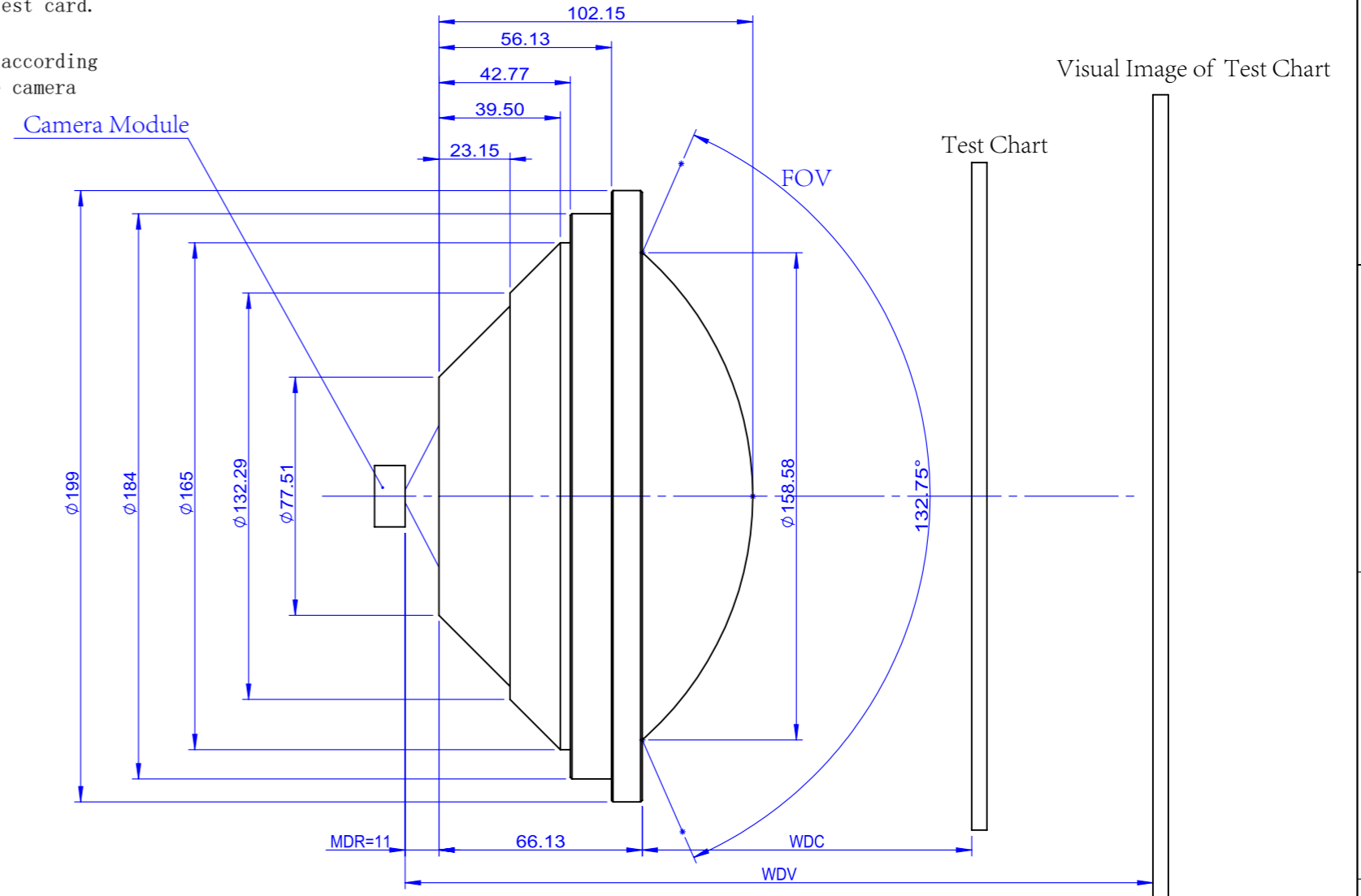
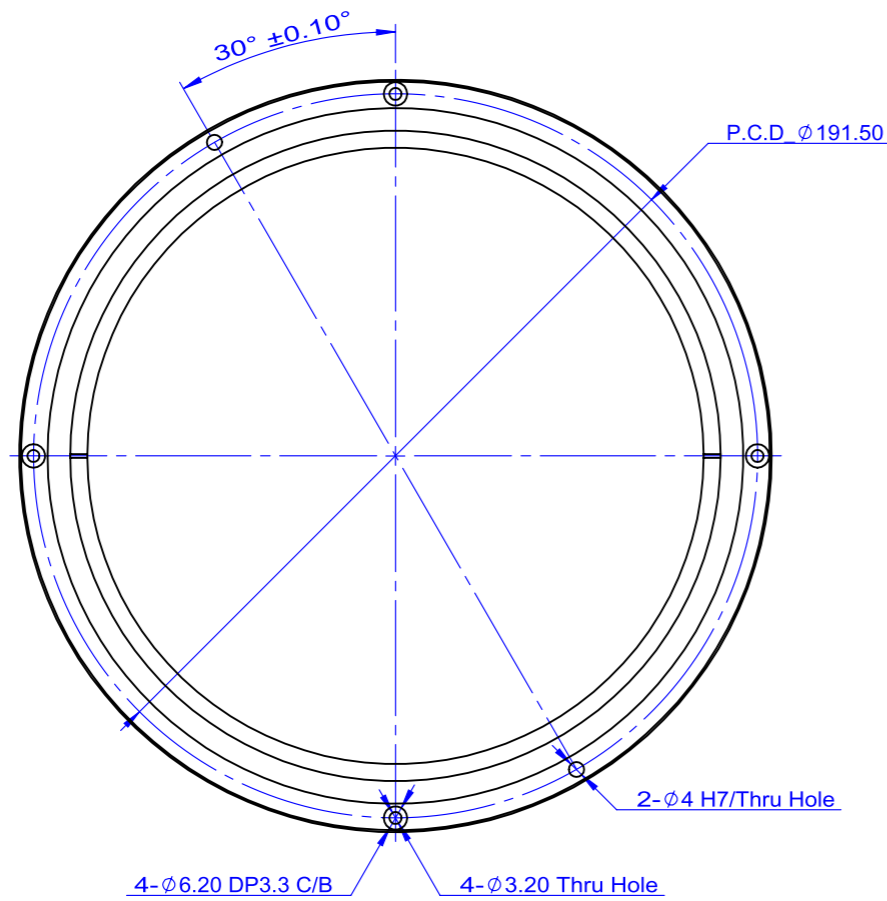


RL11125 SPECIFICATION

Notes:

1. The Chart Size is calculated according to the maximum field Angle of the relay lens;
2. WDV: Working Distance between the Visual Image of Chart and CCM top;
3. WDC: Working Distance between the Chart and Relaylens Object End;
4. MDR: Mounting Distance for Relay Lens from CCM top;
5. TOTR: Distance from the camera module to the test card.
6. The length and width of chart are calculated according to the chip specifications 4:3 or 16:9 of the camera module.



WDV	WDC	TOTR	Chart Size@Max FOV				
			Diagonal	4:3(WxH)		16:9(WxH)	
700	87.2	164.4	557.1	445.7	334.2	485.5	273.1
1300	101.4	178.5	622.4	497.9	373.4	542.4	305.1
1850	107.1	184.2	648.6	518.9	389.2	565.3	318.0
5000	116.5	193.6	691.9	553.5	415.1	603.0	339.2
INF	122.6	199.7	720.0	576.0	432.0	627.5	353.0

Focal Length(mm)	189
Distortion(%)	0.2%
MAX FOV(°)	125
Weight(kg)	3.32
Exit Pupil Aperture(mm)	4
MDR(mm)	11
WDV(mm)	700~INF
Wavelength(nm)	420-940 nm

Lontry®		DESIGN	Derek	2021.12.9	MACHINE MODEL:	RL11125	TITLE:		RL11125 SPECIFICATION
INFORMATION HEREIN SHALL NOT BE REPRODUCED IN ANY FORM WITHOUT COLIBRI WRITTEN PERMISSION		CHECKED			APPROVED		MATERIAL: Product		
TOLERANCE CLASS NOT SPECIFIED		QTY		-	TREATMENT		REV.		
Dimensional tol./Masstol. ISO 2768-1:1999	tol.-class/Tol.-k.	SIZE	A3	UNIT	mm	DWG/N	SHEET		1/1
Geometrical tol./Form-u. Lagetol. ISO 2768-2:1999	tol.-class/Tol.-k.	SCALE	1:5	WT(kg)	3.32				