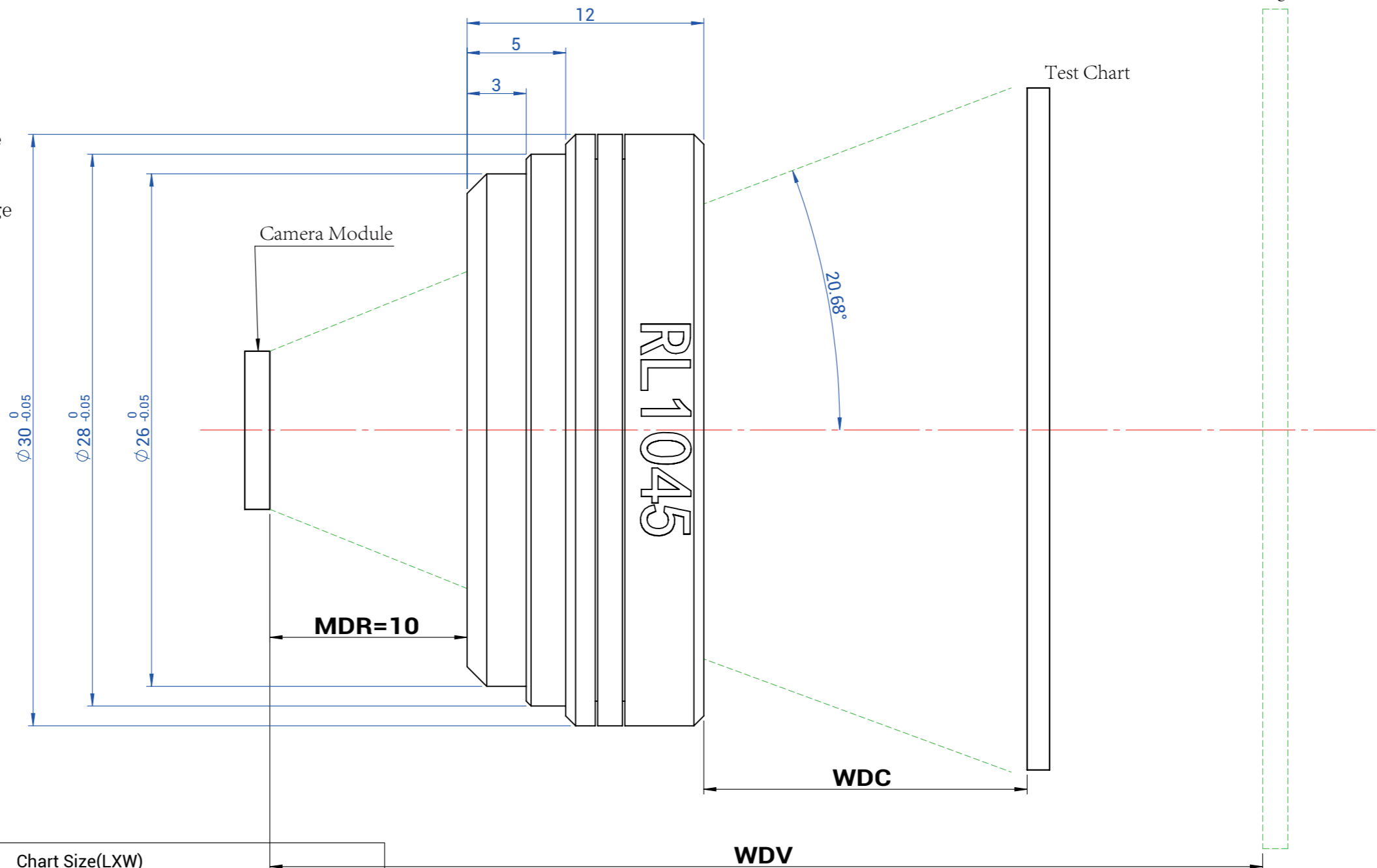


# RL1045 SPECIFICATION

Visual Image of Test Chart

1. The Chart Size is calculated according to the maximum field Angle of the relay lens;
2. WDV: Working Distance between the Visual Image of Chart and CCM top;
3. WDC: Working Distance between the Chart and Relaylens Object End;
4. MDR: Mounting Distance for Relay Lens from CCM top;
5. The length and width of chart are calculated according to the chip specifications 4:3 or 16:9 of the camera module.



WDV	WDC	Chart Size(LXW)				Focal Length	Distortion	MAX FOV	Weight	Exit Pupil Aperture	MDR	Wavelength
		4:3		16:9								
400	191.55	131.4	98.6	143.2	80.5							
500	213.46	145.0	108.8	158.0	88.9							
600	230.78	155.8	116.8	169.7	95.5							
1000	274.43	182.9	137.2	199.2	112.1							
2000	318.63	210.3	157.7	229.1	128.9							
5000	352.15	231.1	173.3	251.8	141.6							
10000	364.84	239.0	179.2	260.4	146.5							
50000	375.64	245.7	184.3	267.7	150.6							
100000	377.03	246.6	184.9	268.6	151.1							
infinity	378.43	247.4	185.6	269.6	151.6							

<b>Lontry®</b>		DESIGN	pb	2020/4/26	MACHINE MODEL:		
INFORMATION HEREIN SHALL NOT BE REPRODUCED IN ANY FORM WITHOUT COLIBRI WRITTEN PERMISSION		CHECKED			TITLE: RL1045 SPECIFICATION		
TOLERANCE CLASS NOT SPECIFIED		APPROVED			QTY: - TREATMENT:		
Dimensional tol./Masstol. ISO 2768-1:1999	tol.-class/Tol.-k.	SCALE	A3	UNIT	mm	DWG/N	REV. A
Geometrical tol./Form-u. Lagetol. ISO 2768-2:1999	tol.-class/Tol.-k.	SCALE	1:1	WT(kg)	0.02	SHEET	1/1