

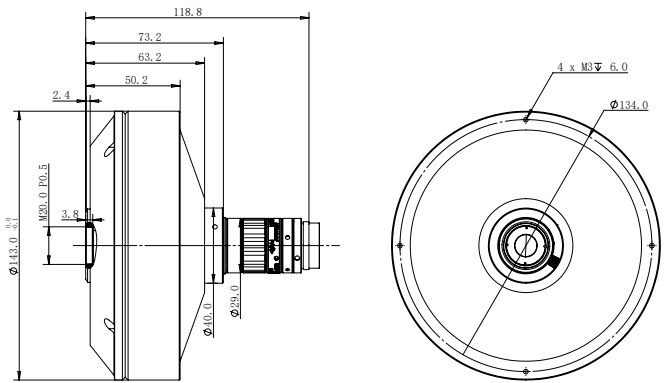
PRO230-C270-230-S16

Catadioptric lenses



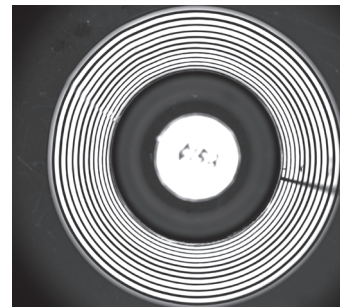
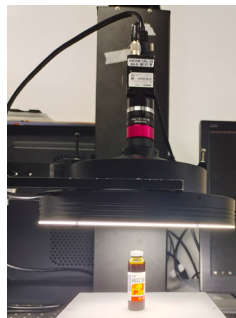
- Side testing for 5-30mm diameter small parts;
- Catadioptric lenses for 360° top and lateral view with just one camera;
- Small size, suitable for tight spaces.

| Optical Specifications | |
|------------------------------|------------|
| Wavelength range (nm) | 450~650 |
| Working Distance (mm) | 41-10 |
| Compatible with FA lens | 16mm |
| Best Aperture (F/#) | 6.5 |
| Max Sensor Size (Φmm) | 7.07(2/3") |
| Inspect object diameter (mm) | 5~30 |
| Mount | C |



| Object diameter | Object inspection height | Working distance | Outer wall+Top Inspection at the same time |
|-----------------|--------------------------|------------------|--|
| 5mm | 3mm | 41mm | Only Outer Inspection |
| 7mm | 5mm | 39mm | Outer wall +Top Inspection |
| 10mm | 6mm | 36mm | Outer wall +Top Inspection |
| 15mm | 11mm | 30mm | Outer wall +Top Inspection |
| 20mm | 13mm | 24mm | Outer wall +Top Inspection |
| 25mm | 18mm | 15mm | Outer wall +Top Inspection |
| 30mm | 18mm | 10mm | Only Outer Inspection |

- It can be widely used in defect detection of bottle caps, medicine bottles, O-rings, screw tooth products, etc.



Only outer wall inspection



Outer wall +Top inspection