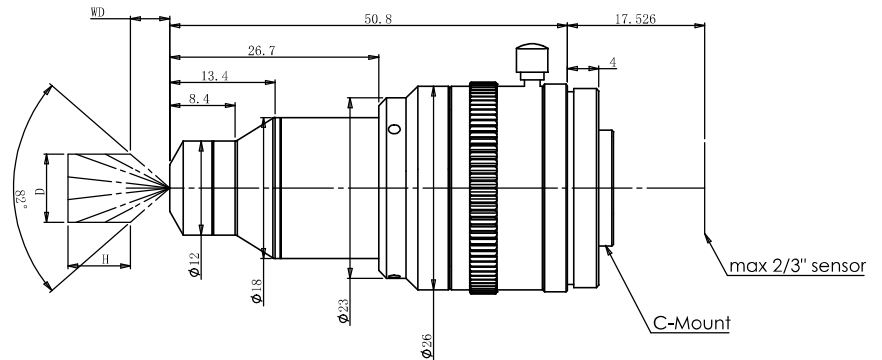




PRHI230-82

360° Inside View Lens



Parameter		
Max sensor size	2/3"	
Image circle diameter (mm)	6.6	
Wavelength range	Visible	
Working distance (mm)	5mm-65mm	
Mount	C□	
Object inside diameter (mm)	Object highth (mm)	Working distance (mm)
5	4	5
10	6	7
20	20	13
30	30	17
40	40	24
50	50	27
60	60	33
80	80	44
100	100	55
120	120	65